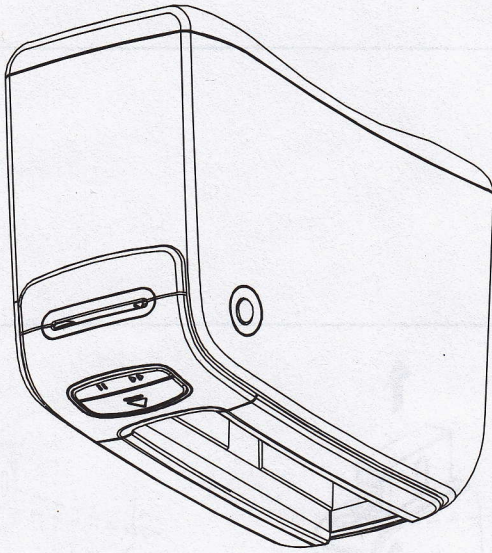




61206L-002 Rev. A
04/24/2008



© 2008 ZIH Corp.



HC100™

